

**KAWAI**

English

AURES  
ANYTIME X

AR2 / ATX4

Owner's Manual

# Important Information

## Introduction

Thank you for purchasing this Kawai AURES/AnyTime piano.

This owner's manual contains important information regarding the instrument's usage and operation. Please read all sections carefully, keeping this manual handy for future reference.

### ■ About this owner's manual

This owner's manual provides information for customers to enjoy using this instrument immediately after purchase, and explanations about the various functions of this instrument.

### ■ Intellectual property rights

- The Bluetooth® word mark and logos are registered trademarks owned by the Bluetooth SIG, Inc. and any use of such marks by Kawai Musical Instruments Mfg. Co., Ltd. is under license.
- Qualcomm aptX is a product of Qualcomm Technologies, Inc. and/or its subsidiaries. Qualcomm is a trademark of Qualcomm Incorporated, registered in the United States and other countries. aptX is a trademark of Qualcomm Technologies International, Ltd., registered in the United States and other countries.



Qualcomm® aptX™

- Other company names and product names mentioned or referenced herein are registered trademarks or trademarks of respective owners.
- Kawai Musical Instruments Mfg. Co., Ltd. shall have no liability for any acts in violation of the Copyright Act made by any users of this product.

## Table of Contents

Important Information	Appendix
Introduction..... 2	Troubleshooting ..... 13
Table of Contents..... 2	Information about Bluetooth®..... 15
Important Safety Instructions ..... 3	Connecting to Other Devices ..... 16
	EU Declaration of Conformity..... 18
	Specifications ..... 19
Getting Started	
Part Names and Functions ..... 8	
Setting Up the Piano ..... 10	
About the soundboard speaker system (AURES) ..... 12	
Using the PianoRemote app ..... 12	

# Important Safety Instructions

## SAVE THESE INSTRUCTIONS

INSTRUCTIONS PERTAINING TO A RISK OF FIRE, ELECTRIC SHOCK, OR INJURY TO PERSONS



### WARNING

TO REDUCE THE RISK OF FIRE OR ELECTRIC SHOCK, DO NOT EXPOSE THIS PRODUCT TO RAIN OR MOISTURE.

**AVIS : RISQUE DE CHOC ELECTRIQUE - NE PAS OUVRIR.**

TO REDUCE THE RISK OF ELECTRIC SHOCK, DO NOT REMOVE COVER (OR BACK).  
NO USER-SERVICEABLE PARTS INSIDE. REFER SERVICING TO QUALIFIED SERVICE PERSONNEL.



The lightning flash with arrowhead symbol, within an equilateral triangle, is intended to alert the user to the presence of uninsulated "dangerous voltage" within the product's enclosure that may be of sufficient magnitude to constitute a risk of electric shock to persons.



The exclamation point within an equilateral triangle is intended to alert the user to the presence of important operating and maintenance (servicing) instructions in the literature accompanying the product.

### Examples of Picture Symbols



Denotes that care should be taken.  
The example instructs the user to take care not to allow fingers to be trapped.




Denotes a prohibited operation.  
The example instructs that disassembly of the product is prohibited.





Denotes an operation that should be carried out.  
The example instructs the user to remove the power cord plug from the AC outlet.

### Read all the instructions before using the product.

- 1) Read these instructions.
- 2) Keep these instructions.
- 3) Heed all warnings.
- 4) Follow all instructions.
- 5) Do not use this apparatus near water.
- 6) Clean only with dry cloth.
- 7) Do not block any ventilation openings. Install in accordance with the manufacturer's instructions.
- 8) Do not install near any heat sources such as radiators, heat registers, stoves, or other apparatus (including amplifiers) that produce heat.
- 9) Do not defeat the safety purpose of the polarized or grounding-type plug. A polarized plug has two blades with one wider than the other. A grounding type plug has two blades and a third grounding prong. The wide blade or the third prong are provided for your safety. If the provided plug does not fit into your outlet, consult an electrician for replacement of the obsolete outlet.
- 10) Protect the power cord from being walked on or pinched particularly at plugs, convenience receptacles, and the point where they exit from the apparatus.
- 11) Only use attachments/accessories specified by the manufacturer.
- 12) Use only with the cart, stand, tripod, bracket, or table specified by the manufacturer, or sold with the apparatus. When a cart is used, use caution when moving the cart/apparatus combination to avoid injury from tip-over. 
- 13) Unplug this apparatus during lightning storms or when unused for long periods of time.
- 14) Refer all servicing to qualified service personnel. Servicing is required when the apparatus has been damaged in any way, such as power-supply cord or plug is damaged, liquid has been spilled or objects have fallen into the apparatus, the apparatus has been exposed to rain or moisture, does not operate normally, or has been dropped.

# Règles de sécurité (Supplémentaires pour le Canada)

## CONSERVEZ CES INSTRUCTIONS

	<b>CAUTION</b> RISK OF ELECTRIC SHOCK DO NOT OPEN		<b>AVERTISSEMENT</b> POUR REDUIRE LES RISQUES D'INCENDIE OU D'ELECTROCUTION, PROTEGEZ CET APPAREIL DE LA PLUIE OU DE L'HUMIDITE.
---	---	---	--

### AVIS : RISQUE DE CHOC ELECTRIQUE - NE PAS OUVRIR.

POUR REDUIRE LES RISQUES D'INCENDIE OU D'ELECTROCUTION, NE DEMONTEZ PAS LE COUVERCLE (OU L'ARRIERE). A L'INTERIEUR, AUCUNE PARTIE N'EST REPARABLE PAR L'UTILISATEUR. POUR LA MAINTENANCE, ADRESSEZ-VOUS A DU PERSONNEL QUALIFIE.






Le symbole de l'éclair avec une pointe de flèche à l'intérieur d'un triangle équilatéral met en garde l'utilisateur contre la présence de tension dangereuse, non isolée, à l'intérieur de l'appareil, dont l'amplitude peut être suffisante pour induire un risque d'électrocution d'une personne.



Le point d'exclamation à l'intérieur d'un triangle équilatéral alerte l'utilisateur de la présence de règles d'utilisation et d'entretien importantes dans la notice qui accompagne l'appareil.

### Exemples de symboles graphiques

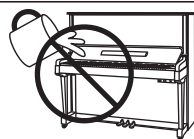
	Indique que des précautions doivent être prises. L'exemple indique à l'utilisateur qu'il doit faire attention à ne pas se faire coincer les doigts.
	Indique une manipulation interdite. L'exemple indique que le démontage de l'appareil est interdit.
	Indique qu'une manipulation doit être effectuée. L'exemple indique à l'utilisateur qu'il doit débrancher le câble d'alimentation de la prise secteur.



### AVERTISSEMENT

Indique un risque potentiel qui peut entraîner la mort, ou de graves lésions, si l'appareil n'est pas manipulé correctement.

Faite attention de ne pas introduire un produit étranger à l'intérieur de l'appareil.



L'introduction d'eau, d'aiguilles ou d'épingles à cheveux, peut provoquer une panne ou un court-circuit. Ce produit doit être mis à l'abri des écoulements ou projections d'eau. Ne jamais placer sur le produit des objets contenant des liquides, tels que des vases ou autres récipients.

Ce produit n'est pas totalement déconnecté du circuit électrique lorsqu'il est mis hors tension par le bouton d'arrêt. Si l'appareil ne doit pas être utilisé pendant une longue période, débranchez le câble d'alimentation de la prise secteur.



- Si vous ne le faisiez pas la foudre pourrait provoquer un incendie.
- Si vous ne le faisiez pas, la surchauffe de l'appareil pourrait provoquer un incendie.

Il est recommandé de placer l'instrument à proximité de la prise de courant et de positionner le câble d'alimentation secteur de sorte qu'il puisse être débranché rapidement en cas d'urgence, le courant électrique étant toujours présent tant que la prise est branchée même si le bouton de mise en marche est en position Arrêt.

### [Seuls les produits avec 3P fiche]

#### INSTRUCTIONS DE MISE À LA TERRE

Ce produit doit être mis à la terre. En cas de défaillance matérielle ou de panne, la mise à la terre fournit un chemin de moindre résistance au courant électrique afin de réduire le risque d'électrocution. Ce produit est équipé d'un câble avec un conducteur de protection et une fiche de mise à la terre. La fiche doit être branchée dans une prise appropriée correctement installée et mise à la terre conformément à tous les codes et règlements locaux.

DANGER - La connexion incorrecte du conducteur de protection peut présenter un risque d'électrocution.

Consultez un électricien ou un réparateur qualifié si vous avez des doutes en ce qui concerne la mise à la terre du produit. Ne modifiez pas la fiche fournie avec le produit – si elle n'est pas adaptée à la prise, faites installer une prise correcte par un électricien qualifié.



### PRECAUTION

Indique un risque potentiel qui peut entraîner la détérioration, ou des dommages, pour l'appareil ou ses propriétés, si celui-ci n'est pas manipulé correctement.

Description de la l'emplacement de la référence (Le cas échéant):

Anglais phrase: The nameplate label is located on the underside of the instruments, as indicated below.

Français phrase: La référence commerciale est inscrite sur une étiquette en dessous de votre instrument, conformément à l'indication ci-dessous.

Votre piano doit être placé à un endroit tel que sa position n'altère pas sa propre ventilation. Gardez une distance minimum de 5 cm autour de l'instrument pour une aération suffisante.

**WARNING - When using electric products, basic precautions should always be followed, including the following.**



## WARNING

Indicates a potential hazard that could result in death or serious injury if the product is handled incorrectly.

**The product should be connected to an AC outlet of the specified voltage.**



- If you are going to use an AC power cord, make sure that its has the correct plug shape and conforms to the specified power voltage.
- Failure to do so may result in fire.

**Use only the AC adaptor included with this instrument to power the instrument.**



- Do not use other AC adaptors to power this instrument.
- Do not use the included AC adaptor or AC power cord to power other equipment.

**Do not insert or disconnect the power cord plug with wet hands.**



Doing so may cause electric shock.

**The chair must be used properly (it must be used only when playing the product).**

- Do not play with it or stand on it.
- Only one person is allowed to sit on it.
- Do not sit on it when opening the lid.
- Re-tighten the bolts occasionally.

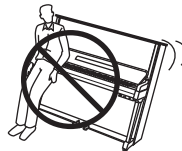
Doing so may cause the chair to fall over or your fingers to be trapped, resulting in injury.

**When using the headphones, do not listen for long periods of time at high volume levels.**



Doing so may result in hearing problems.

**Do not lean against the keyboard.**



Doing so may cause the product to fall over, resulting in injury.

**Do not disassemble, repair or modify the product.**



Doing so may result in product breakdown, electric shock or short-circuit.

**When disconnecting the AC power cord's plug, always hold the plug and pull it to remove it.**



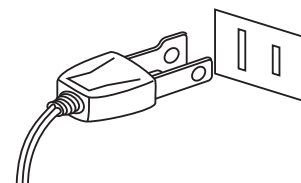
- Pulling the AC power cord itself may damage the cord, causing a fire, electric shock or short-circuit.

**The product is not completely disconnected from the power supply even when the power switch is turned off. If the product will not be used for a long time, unplug the AC power cord from the AC outlet.**



- Failure to do so may cause fire in case of lightning.
- Failure to do so may over-heat the product, resulting in fire.

**This product may be equipped with a polarized line plug (one blade wider than the other). This is a safety feature. If you are unable to insert the plug into the outlet, contact an electrician to replace your obsolete outlet. Do not defeat the safety purpose of the plug.**



**It is a good practice to place the instrument near the AC outlet and to place the power cord plug in a position that allows the plug to be disconnected easily in the event of an emergency. Electricity is always charging while the plug is in the AC outlet even when the power switch is in the "OFF" position.**



# CAUTION

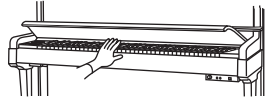
Indicates a potential hazard that could result in injury or damage to the product or other property if the product is handled incorrectly.

**Do not use the product in the following areas.**

- Areas, such as those near windows, where the product is exposed to direct sunlight
- Extremely hot areas, such as near a heater
- Extremely cold areas, such as outside
- Extremely humid areas
- Areas where a large amount of sand or dust is present
- Areas where the product is exposed to excessive vibrations

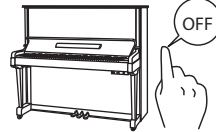
Using the product in such areas may result in product breakdown. Use the product only in moderate climates (not in tropical climates).

**When you close the fallboard, close it gently.**



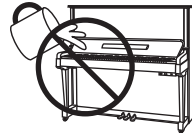
Closing it roughly may trap your fingers, resulting in injury.

**Before connecting cords, make sure that the power to this product and other devices is turned OFF.**



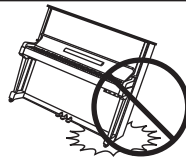
Failure to do so may cause breakdown of this product and other devices.

**Take care not to allow any foreign matter to enter the product.**



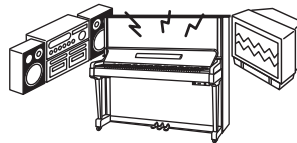
Entry of water, needles or hair pins may result in breakdown or short-circuit. The product should not be exposed to dripping or splashing. No objects filled with liquids, such as vases, should be placed on the product.

**Do not drag the product on the floor. Take care not to drop the product.**



Please lift up the product when moving it. Please note that the product is heavy and must be carried by more than two persons. Dropping the product may result in breakdown.

**Do not place the product near electrical appliances such as TVs and radios.**



- Doing so may cause the product to generate noise.
- If the product generates noise, move the product sufficiently away from the electrical appliance or connect it to another AC outlet.

**When connecting the AC power cord and other cords, take care not to get them tangled.**



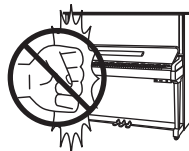
Failure to do so may damage them, resulting in fire, electric shock or short-circuit.

**Do not wipe the product with benzene or thinner.**



- Doing so may result in discoloration or deformation of the product.
- When cleaning the product, put a soft cloth in lukewarm water, squeeze it well, then wipe the product.

**Do not stand on the product or exert excessive force.**



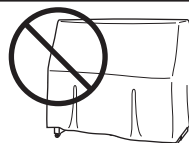
- Doing so may cause the product to become deformed or fall over, resulting in breakdown or injury.

**Do not place naked flame, such as lighted candles on the product.**



Doing so may cause the illumination to fall over, resulting in fire.

**Ensure that the ventilation is not impeded by covering the ventilation openings with items, such as newspaper, table-cloths, curtains, etc.**



Failure to do so may over-heat the product, resulting in fire.

**The product should be located so that its location or position does not interfere with its proper ventilation. Ensure a minimum distance of 5cm around the product for sufficient ventilation.**

**The product should be serviced by qualified service personnel when:**

- The power supply cord or the plug has been damaged.
- Objects have fallen, or liquid has been spilled into the product.
- The product has been exposed to rain.
- The product does not appear to operate normally or exhibits a marked change in performance.
- The product has been dropped, or the enclosure damaged.

**Notice regarding electrostatic discharge (ESD)**

If the instrument exhibits any malfunction due to electrostatic discharge (ESD), please turn the instrument off and then on again. Please discharge all static electricity from you before using the external memories such as a USB memory device in order to avoid any damage on device.

**Notes on Repair**

Should an abnormality occur in the product, immediately turn the power OFF, disconnect the power cord plug, and then contact the shop from which the product was purchased.

**CAUTION:**

To prevent electric shock, match wide blade of plug to wide slot, and insert fully.

**ATTENTION:**

Pour éviter les chocs électriques, introduire la lame la plus large de la fiche dans la borne correspondante de la prise et pousser jusqu'au fond.



**An information on Disposal for users**

If your product is marked with this recycling symbol it means that, at the end of its life, you must dispose of it separately by taking it to an appropriate collection point. You should not mix it with general household waste. Disposing of this product correctly will prevent potential negative effects on the environment and human health which could otherwise arise due to inappropriate waste handling. For further details, please contact your local authority. (European Union only)

**Instruction for AC power cord (U.K.)**

**IMPORTANT**

THE WIRES IN THIS MAINS LEAD ARE COLOURED IN ACCORDANCE WITH THE FOLLOWING CODE.

BLUE : NEUTRAL  
BROWN : LIVE

As the colours of the wires in the mains lead of this apparatus may not correspond with the coloured markings identifying the terminals in your plug, proceed as follows:

- The wire which is coloured BLUE must be connected to the terminal which is marked with the letter N or coloured BLACK.
  - The wire which is coloured BROWN must be connected to the terminal which is marked with the letter L or coloured RED.
- Do not plug either terminal of the power cord to the ground od AC outlet on the wall.

**FCC Information (U.S.A)**

**CAUTION :** Changes or modifications not expressly approved by the party responsible for compliance could void the user's authority to operate the equipment.

**NOTE :** This equipment has been tested and found to comply with the limits for a Class B digital device, pursuant to Part 15 of the FCC Rules. These limits are designed to provide reasonable protection against harmful interference in a residential installation. This equipment generates, uses and can radiate radio frequency energy and, if not installed and used in accordance with the instructions, may cause harmful interference to radio communications. However, there is no guarantee that interference will not occur in a particular installation. If this equipment does cause harmful interference to radio or television reception, which can be determined by turning the equipment off and on, the user is encouraged to try to correct the interference by one or more of the following measures:

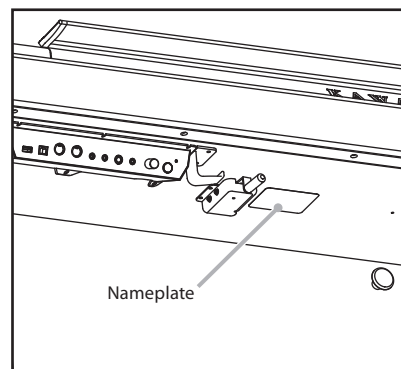
- Reorient or relocate the receiving antenna.
- Increase the separation between the equipment and receiver.
- Connect the equipment into an outlet on a circuit different from that to which the receiver is connected.
- Consult the dealer or an experienced radio/TV technician for help.

**Declaration of Conformity**

Products :	Hybrid Piano
Model Number :	AURES2/ATX4
Responsible Party Name :	Kawai America Corporation
Address :	2055 East University Drive Rancho Dominguez, CA 90220
Telephone :	310-631-1771

This device complies with Part 15 of the FCC Rules. Operation is subject to the following two conditions:  
 (1) this device may not cause harmful interference, and  
 (2) this device must accept any interference received, including interference that may cause undesired operation.

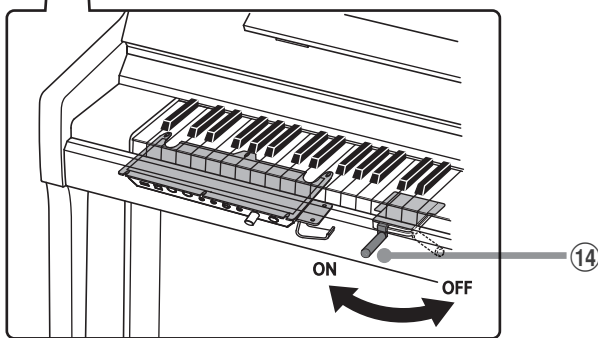
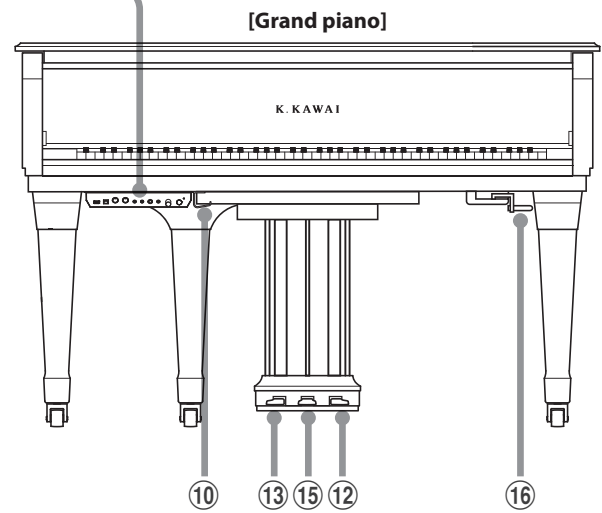
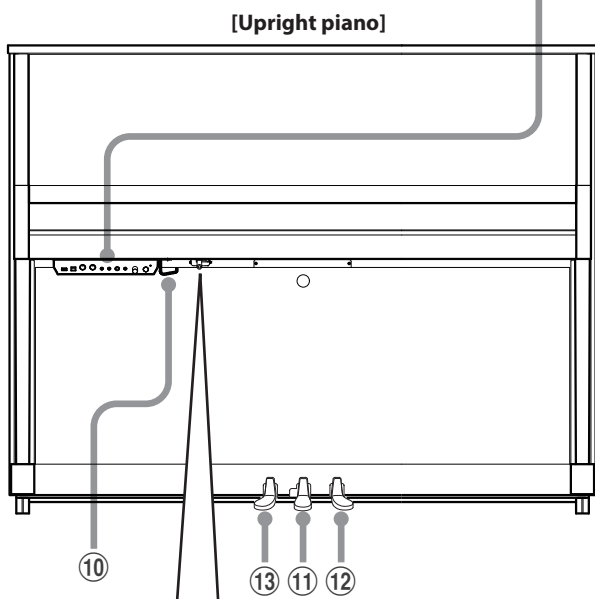
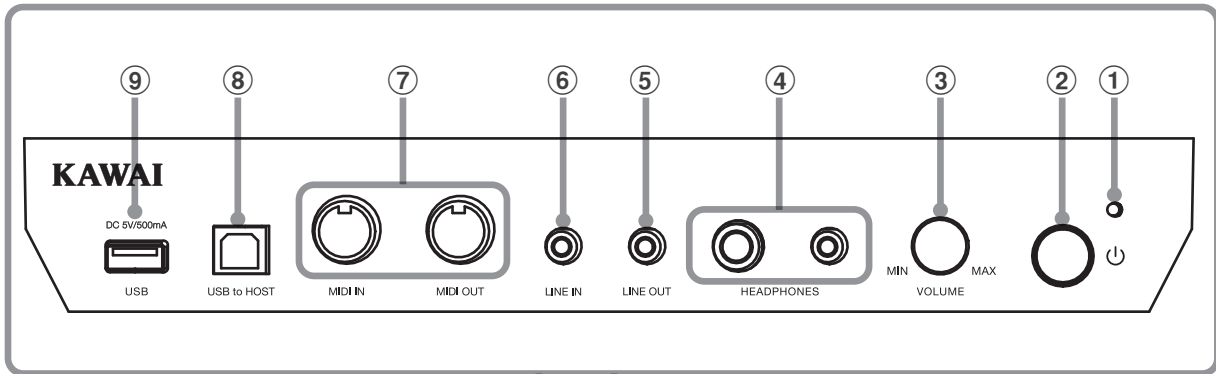
The nameplate label is located on the underside of the instrument, as indicated below.



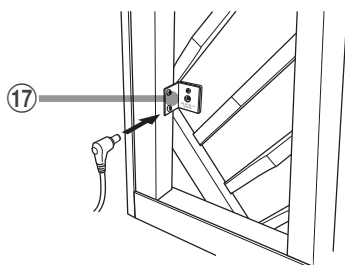
This applies only to products distributed by Kawai America Corporation.

# Getting Started

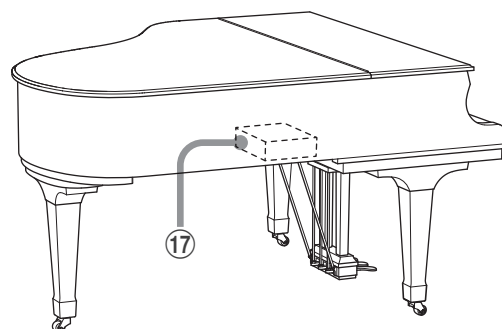
## Part Names and Functions



### ●DC IN



[Upright piano]



[Grand piano]



**① LED power indicator**

This LED will light up when this instrument's control box is turned on.

**② POWER Button**

This button is used to turn this instrument on/off. Be sure to turn off this instrument after playing.

\* This instrument features a power saving mode that can turn off the instrument automatically after a specified period of inactivity.

**③ MASTER VOLUME knob**

This knob is used to adjust the volume when AnyTime mode is activated.

\* The MASTER VOLUME knob will also affect the volume level of the LINE OUT connectors.

**④ HEADPHONES jacks**

These jacks are used to connect stereo headphones to this instrument.

1/4" and 1/8" connectors are provided for convenience, and both can be used simultaneously, allowing two pairs of headphones to be connected at the same time.

**⑤ LINE OUT STEREO jack**

This jack is used to connect the stereo output (stereo 1/8" phone plug) of this instrument to external amplifiers, mixers, recording devices, and similar equipment.

**⑥ LINE IN STEREO jack**

This jack is used to connect the 1/8" stereo output from smart phones, tablets, computers, or other electronic audio equipment to this instrument's amplifier and speakers.

**⑦ MIDI IN/OUT jacks**

These jacks are used to connect this instrument to external MIDI devices such as other electronic instruments or computers in order to send and receive MIDI data.

**⑧ USB to HOST port**

This port is used to connect this instrument to a computer using a USB "B to A" type cable in order to send and receive MIDI data.

**⑨ USB for UPDATE port**

This port is used to connect a FAT or FAT32 formatted USB memory device to this instrument in order to update the system software.

**⑩ Headphone hook**

This hook is used to conveniently hang the headphones when not in use.

**⑪ Mute pedal (upright piano)**

This pedal is used to mute the acoustic piano sound by depressing the pedal and sliding it gently to the left, thus activating AnyTime mode. Do not attempt to activate/deactivate AnyTime mode while playing the piano as this can cause serious damage to the action mechanism of this instrument.

**⑫ Damper pedal**

Depressing this pedal sustains the sound after one's hand have been lifted from the keyboard – greatly enriching the piano sound, while also assisting smooth "legato" passages.

**⑬ Soft pedal / Sostenuto pedal (upright piano)**

Depressing this pedal softens the sound, reducing its volume. When the "Jazz Organ" sound is selected, the soft pedal is used to alternate the speed of the rotary speaker simulation between "Slow" and "Fast" effect modes.

It is also possible to use the Soft pedal as the Sostenuto pedal by depressing the pedal while turning the control box on.

**⑭ Muffler lever (upright piano)**

This lever is used to activate/deactivate the muffler system of the acoustic piano.

Pull the lever to activate and push it back to deactivate.

**⑮ Sostenuto pedal (grand piano)**

Depressing this pedal after playing the keyboard and before releasing the keys, sustains the sound of only those notes that have been played. Any keys that are subsequently played after the sostenuto pedal is depressed will not be sustained.

**⑯ Muting Lever (grand piano)**

This lever is used to mute the acoustic piano sound. Pull the lever gently to the left to activate AnyTime mode. Do not attempt to activate/deactivate AnyTime mode while playing the instrument as this can cause serious damage to the action mechanism of the instrument.

**⑰ DC IN jack**

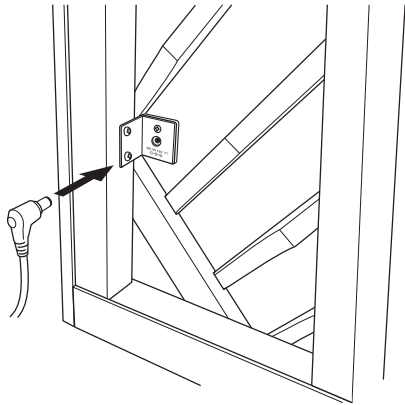
This jack is used to connect the AC adaptor.

## Setting Up the Piano

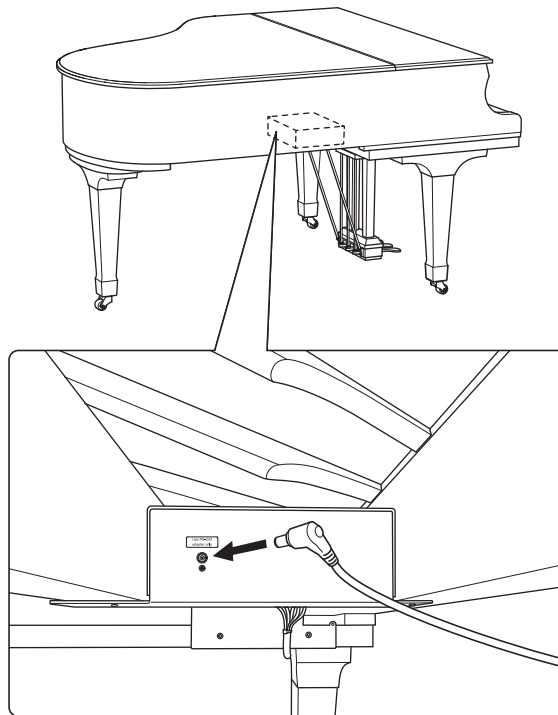
### 1. Connecting the AC adapter to this instrument

Connect the included power cable to the DC IN connector.

[Upright piano]

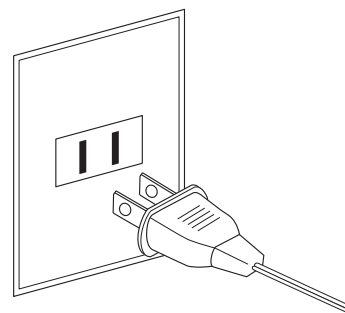


[Grand piano]



### 2. Plugging the AC adapter's power plug to an outlet

Plug the included AC adapter's power plug into the electric wall outlet.

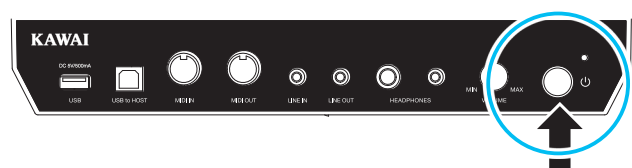


### 3. Turning on the power

Press the POWER button located on the right hand side of the control box.

To turn off the power, press and hold the POWER button again for 1~2 seconds.

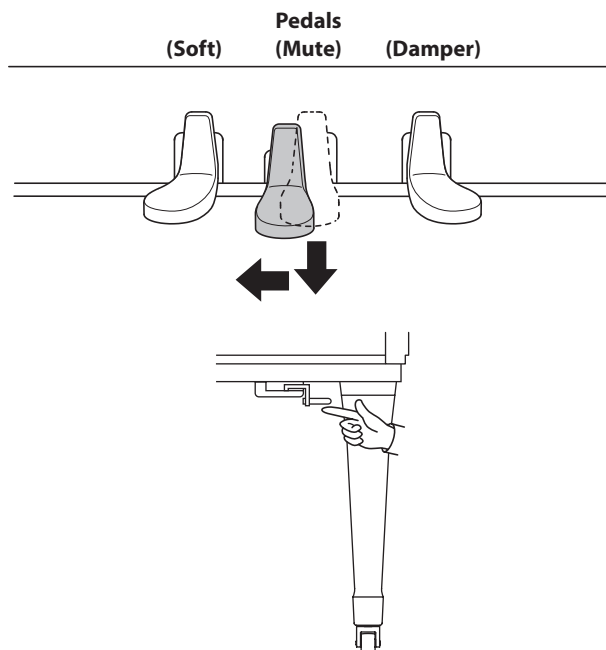
\* This instrument features a power saving mode that can turn off the instrument automatically after a specified period of inactivity.



## 4. Activating AnyTime Mode

### [Upright piano]

Depress the Mute pedal, then slide it gently to the left to mute the acoustic piano sound and activate AnyTime Mode.



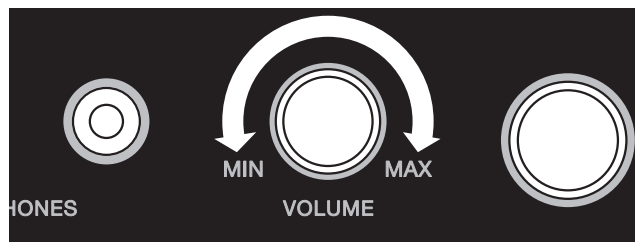
### [Grand piano]

Pull the Muting lever to the left to mute the acoustic piano sound and activate AnyTime mode.

## 5. Adjusting the volume

Turn the VOLUME knob clockwise/anti-clockwise to increase/decrease the volume level of this instrument's headphones.

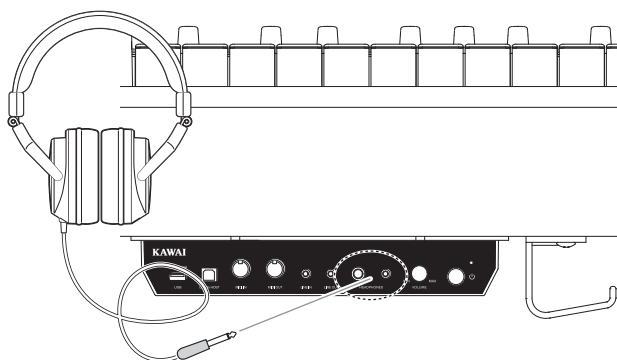
\* The MASTER VOLUME knob will also affect the volume level of the LINE OUT connectors.



## 6. Using headphones

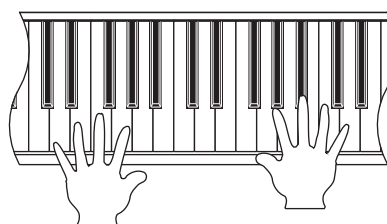
Two pairs of headphones can be connected simultaneously, allowing two people to listen to this instrument at the same time.

When a pair of headphones is connected, sound will not be produced by the speakers (AURES only).



## 7. Play the piano

The sound of the SK-EX Concert Grand Piano will be played through the headphones, with the acoustic piano sound muted.



### About the soundboard speaker system (AURES)

---

AURES upright and grand pianos feature an impressive soundboard speaker system with 4 transducers, allowing the AURES sound to be played without the use of headphones.

In addition, when AnyTime mode is deactivated (i.e. the acoustic piano sound is not muted), it is also possible to enjoy playing ensemble pieces that feature both the acoustic piano sound and AURES sound simultaneously, such as piano with strings.

### Using the PianoRemote app

---

PianoRemote is an app for iOS/Android devices that allows the AURES/AnyTime piano to be controlled using a smartphone or tablet. For more information, please refer to the instruction manual inside the PianoRemote app.

#### ■ Installing the PianoRemote app

---

1. Search for "PianoRemote" on Google Play or the App Store and install the app.
2. When the installation is completed, start PianoRemote.

# Appendix

## Troubleshooting

The tables below summarise issues that may be experienced with this instrument, explaining the typical cause(s), and recommended solution(s).

### ■ Power

Issue	Possible Cause and Solution	Page no.
<i>This instrument does not turn on.</i>	Check that the power cable is firmly attached to this instrument, and connected to an AC outlet.	p. 10

### ■ Sound

Issue	Possible Cause and Solution	Page no.
<i>This instrument is turned on, however no sound is produced when the keys are pressed.</i>	Check that the MASTER VOLUME knob is not set to the lowest position.	p. 11
	Check that a pair of headphones (or headphone adaptor plug) are not connected to the PHONES jacks.	p. 11
<i>The sound distorts when playing at very loud volume levels.</i>	Check that the MASTER VOLUME knob is set to an appropriate level, reducing the volume if excessive distortion is heard.	p. 11
<i>Strange sounds or noises are heard when playing with piano sounds.</i>	This instrument attempts to reproduce the rich variety of tones created by an acoustic grand piano as accurately as possible. This includes various resonances, noises, and other subtle characteristics that contribute to the overall piano playing experience.  While these additional tones are intended to enhance the realism of this instrument, it is possible to reduce their prominence, or disable the effects altogether using the settings in the Virtual Technician menu.	–
<i>The top 18 notes of the keyboard sustain for longer than neighbouring notes, even when the damper pedal is not pressed.</i>	This is the correct behaviour, and intended to reproduce the undamped notes (typically the top two octaves) of an acoustic grand piano.	–

### ■ USB (memory device)

Issue	Possible Cause and Solution	Page no.
<i>A USB memory device is not detected, cannot be saved to, or does not appear to function when connected to the "USB to Device" port.</i>	Check that the USB memory device is formatted to use the FAT/FAT32 filesystem, and not set to "Write Protect" mode.	–
	Disconnect the USB memory device, turn this instrument off then on, then reconnect the USB device. If the USB device still does not function, it may be damaged or incompatible. Please try using a different USB device.	–
<i>This instrument pauses briefly when connecting a USB memory device.</i>	This is recognised behaviour when using large capacity (e.g. 8GB+) USB memory devices.	–

## ■ USB MIDI, MIDI, Bluetooth® MIDI

Issue	Possible Cause and Solution	Page no.
<i>This instrument cannot connect to the smart device/app via Bluetooth.</i>	Check that this instrument's Bluetooth MIDI/Audio function is turned On in the app settings.	–
	Ensure that the mobile device's Bluetooth function is turned On.	–
	Ensure that this instrument isn't already connected to another Bluetooth device.	–
	Try deleting this instrument's Bluetooth connection using the mobile device's "Forget Device" function.	–
	Try turning this instrument Off and then On, and/or restarting the mobile device.	–

# Information about Bluetooth®

Please refer to the following information about Bluetooth.

## ■ About Bluetooth

- The Bluetooth® word mark and logos are registered trademarks owned by the Bluetooth SIG, Inc. and any use of such marks by Kawai Musical Instruments Mfg. Co., Ltd. is under license.
- Frequency Band of Radio: 2400~2483.5 MHz Maximum Transmit Power: 2.5 mW (Bluetooth Low Energy), 4.5mW (A2DP)
- Availability of Bluetooth function dependent on market location.

## ■ For USA, Canada

It is strictly forbidden to use antenna except designated.  
This equipment must not be co-located or operated in conjunction with any other antenna or transmitter.

## ■ For Canada

- This device complies with Industry Canada's licence-exempt RSSs. Operation is subject to the following two conditions:  
(1) This device may not cause interference; and  
(2) This device must accept any interference, including interference that may cause undesired operation of the device.
- Le présent appareil est conforme aux CNR d'Industrie Canada applicables aux appareils radio exempts de licence. L'exploitation est autorisée aux deux conditions suivantes :  
(1) l'appareil ne doit pas produire de brouillage;  
(2) l'utilisateur de l'appareil doit accepter tout brouillage radioélectrique subi, même si le brouillage est susceptible d'en compromettre le fonctionnement.

## ■ For South Africa



## ■ For Argentina

Marca : KAWAI, Bluegiga  
Modelo : MBH7BLZ07, WT32i



## ■ For Korea

- 해당 무선설비는 전파혼신 가능성이 있으므로 인명안전과 관련된 서비스는 할 수 없습니다
- B 급 기기 (가정용 방송통신기자재) 이 기기는 가정용 (B 급) 전자파적합기기로서 주로 가정에서 사용하는 것을 목적으로 하며, 모든 지역에서 사용할 수 있습니다.
- 모델명 MBH7BLZ07 WT32i-A
- 인증을받은 상표 이름제조자 Kawai Musical Instruments Manufacturing Co., Ltd. Bluegiga Technologies Oy
- 원산지 일본 핀란드
- 기자재 명칭 정소출력 무선기기 (무선데이터통신시스템용 무선기기)
- 제조년 월 제품에 붙어있는 라벨을 확인하시기 바랍니다.

## ■ For Mexico

PIANO DIGITAL  
MARCA : KAWAI  
MODELO : MBH7BLZ07, RCPKAMB16-1764  
: WT32i, RCPKAWT17-1556



La operación de este equipo está sujeta a las siguientes dos condiciones:  
(1) es posible que este equipo o dispositivo no cause interferencia perjudicial  
(2) este equipo o dispositivo debe aceptar cualquier interferencia,

## ■ For Brazil

Este equipamento opera em caráter secundário, isto é, não tem direito a proteção contra interferência prejudicial, mesmo de estações do mesmo tipo e não pode causar interferência a sistemas operando em caráter primário. Para consultas, visite: [www.anatel.gov.br](http://www.anatel.gov.br)



## ■ For Singapore

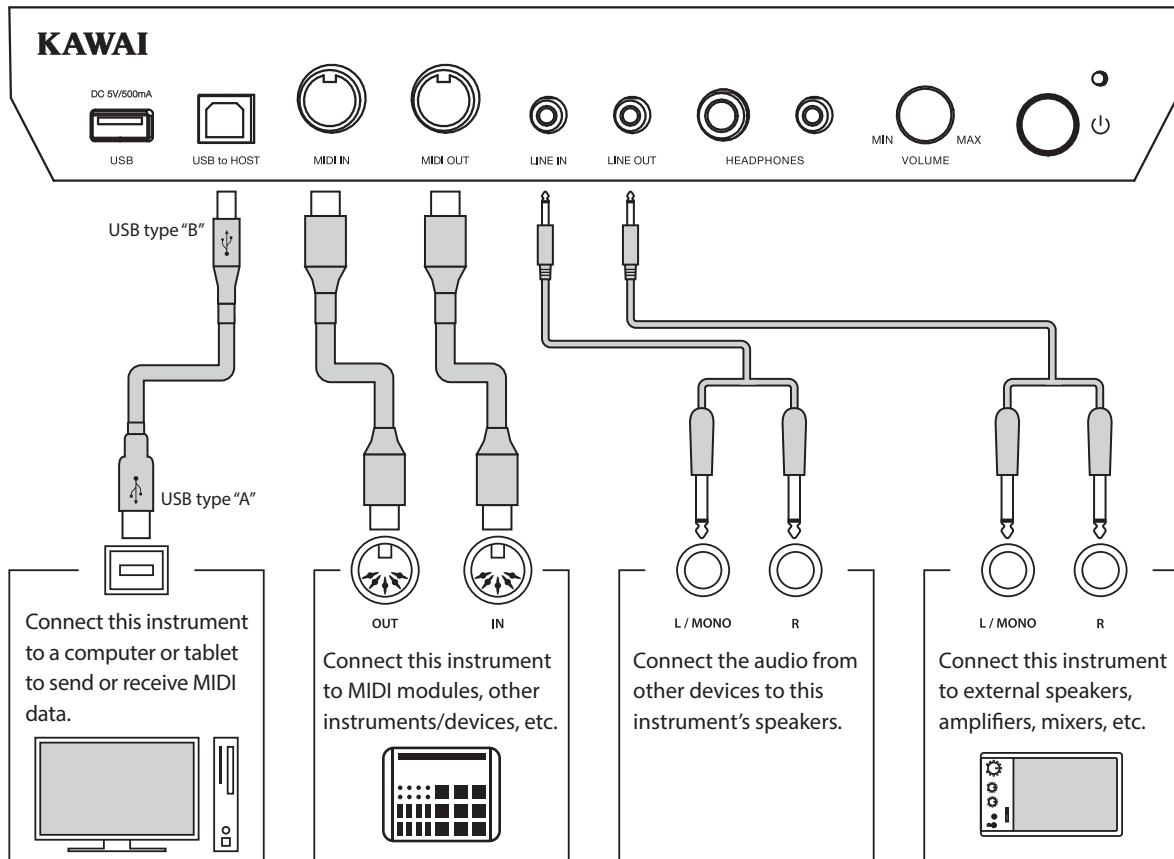


## ■ For Taiwan

第十二條 經型式認證合格之低功率射頻電機，非經許可，公司、商號或使用者均不得擅自變更頻率、加大功率或變更原設計之特性及功能。  
第十四條 低功率射頻電機之使用不得影響飛航安全及干擾合法通信；經發現有干擾現象時，應立即停用，並改善至無干擾時方得繼續使用。前項合法通信，指依電信法規定作業之無線電通信。低功率射頻電機須忍受合法通信或工業、科學及醫療用電波輻射性電機設備之干擾。

## Connecting to Other Devices

This instrument features a variety of jacks that allow the instrument to be connected to MIDI devices, computers, speakers, and mixers. It is also possible to connect external audio sources, such as an MP3 player, tablet, or a secondary keyboard, to this instrument's amplifier and speaker system. The illustration below provides a visual overview of the connectors and their typical applications.



**Before connecting this instrument to other devices, ensure that the power to both the instrument and the other device is turned off. If connections are established while the power is turned on, extraneous noise that can damage this instrument may activate the instrument's amplifier protection circuit, preventing any sound from being produced. If this occurs, turn the power off and then on again to reset the amplifier protection circuit.**

**Do not connect the LINE IN and LINE OUT jacks of this instrument together with the same cable. An audio loop (oscillation sound) will occur, resulting in damage to the unit.**



## Jack/Control Box

---

### ■ PHONES jacks (1/4" & 1/8" phone jacks)

---

These jacks are used to connect stereo headphones to this instrument. Two pairs of headphones can be connected and used simultaneously. When a pair of headphones is connected, sound will not be produced by the speakers (AURES only).

### ■ LINE IN STEREO jack (1/8" phone jack)

---

This jack is used to connect the 1/8" stereo outputs from smart phones, tablets, computers, or other electronic audio equipment to this instrument's amplifier and speakers. The input level can be adjusted by adjusting the volume of the connected device.

### ■ USB to Host port ("B" type)

---

This USB port is used to connect this instrument to a computer using an inexpensive USB cable. When connected, the instrument can be used as a standard MIDI device, allowing it to send and receive MIDI data. Connect a "B" type USB connector to the instrument, and an "A" type USB connector to the computer.

With additional conversion adaptors, this port may also be used to connect this instrument to tablets and other mobile devices.

### ■ LINE OUT STEREO jack (1/8" phone jack)

---

This jack is used to connect the stereo output of this instrument's sound to external speakers, amplifiers, mixers, recording devices, and similar equipment.

The LINE OUT level can be adjusted using the MASTER VOLUME knob.

### ■ MIDI IN/OUT jacks

---

These jacks are used to connect this instrument to external MIDI devices, or to a computer (using a USB-MIDI interface) as an alternative to the "USB to Host" port.

### ■ USB for UPDATE port ("A" type)

---

This USB port is used to connect a USB memory device to this instrument in order to update the system software.

## EU Declaration of Conformity

<b>BG</b>	<b>ОПРОСТЕНА ЕС ДЕКЛАРАЦИЯ ЗА СЪОТВЕТСТВИЕ</b>
Bulgarian	С настоящото Kawai Europa GmbH декларира, че този тип радиосъоръжение [ AURES2/AnyTime X4 ] е в съответствие с Директива 2014/53/ЕС. Цялостният текст на ЕС декларацията за съответствие може да се намери на следния интернет адрес:
<b>ES</b>	<b>DECLARACIÓN UE DE CONFORMIDAD SIMPLIFICADA</b>
Spanish	Por la presente, Kawai Europa GmbH declara que el tipo de equipo radioeléctrico [ AURES2/AnyTime X4 ] es conforme con la Directiva 2014/53/UE. El texto completo de la declaración UE de conformidad está disponible en la dirección Internet siguiente:
<b>CS</b>	<b>ZJEDNODUŠENÉ EU PROHLÁŠENÍ O SHODĚ</b>
Czech	Tímto Kawai Europa GmbH prohlašuje, že typ rádiového zařízení [ AURES2/AnyTime X4 ] je v souladu se směrnicí 2014/53/EU. Úplné znění EU prohlášení o shodě je k dispozici na této internetové adrese:
<b>DA</b>	<b>FORENKLET EU-OVERENSSTEMMELSESESKLÆRING</b>
Danish	Hermed erklærer Kawai Europa GmbH, at radioudstyrstypen [ AURES2/AnyTime X4 ] er i overensstemmelse med direktiv 2014/53/EU. EU-overensstemmelseserklæringens fulde tekst kan findes på følgende internetadresse:
<b>DE</b>	<b>VEREINFACHTE EU-KONFORMITÄTSESKLÄRUNG</b>
German	Hiernit erklärt Kawai Europa GmbH, dass der Funkanlagentyp [ AURES2/AnyTime X4 ] der Richtlinie 2014/53/EU entspricht. Der vollständige Text der EU-Konformitätserklärung ist unter der folgenden Internetadresse verfügbar:
<b>ET</b>	<b>LIHTSUSTATUD ELI VASTAVUSDEKLARATSIOON</b>
Estonian	Käesolevaga deklareerib Kawai Europa GmbH, et käesolev raadioseadme tüüp [ AURES2/AnyTime X4 ] vastab direktiivi 2014/53/EL nõuetele. ELi vastavusdeklaratsiooni täielik tekst on kättesaadav järgmisel internetiaadressil:
<b>EL</b>	<b>ΑΠΛΟΥΣΤΕΥΜΕΝΗ ΔΗΛΩΣΗ ΣΥΜΜΟΡΦΩΣΗΣ ΕΕ</b>
Greek	Με την παρούσα ο/η Kawai Europa GmbH, δηλώνει ότι ο ραδιοεξοπλισμός [ AURES2/AnyTime X4 ] πληροί την οδηγία 2014/53/ΕΕ. Το πλήρες κείμενο της δήλωσης συμμόρφωσης ΕΕ διατίθεται στην ακόλουθη ιστοσελίδα στο διαδίκτυο:
<b>EN</b>	<b>SIMPLIFIED EU DECLARATION OF CONFORMITY</b>
English	Hereby, Kawai Europa GmbH declares that the radio equipment type [ AURES2/AnyTime X4 ] is in compliance with Directive 2014/53/EU. The full text of the EU declaration of conformity is available at the following internet address:
<b>FR</b>	<b>DECLARATION UE DE CONFORMITE SIMPLIFIEE</b>
French	Le soussigné, Kawai Europa GmbH, déclare que l'équipement radioélectrique du type [ AURES2/AnyTime X4 ] est conforme à la directive 2014/53/UE. Le texte complet de la déclaration UE de conformité est disponible à l'adresse internet suivante:
<b>HR</b>	<b>POJEDNOSTAVLJENA EU IZJAVA O SUKLADNOSTI</b>
Croatian	Kawai Europa GmbH ovime izjavljuje da je radijska oprema tipa [ AURES2/AnyTime X4 ] u skladu s Direktivom 2014/53/EU. Cjeloviti tekst EU izjave o sukladnosti dostupan je na sljedećoj internetskoj adresi:
<b>IT</b>	<b>DICHIARAZIONE DI CONFORMITÀ UE SEMPLIFICATA</b>
Italian	Il fabbricante, Kawai Europa GmbH, dichiara che il tipo di apparecchiatura radio [ AURES2/AnyTime X4 ] è conforme alla direttiva 2014/53/UE. Il testo completo della dichiarazione di conformità UE è disponibile al seguente indirizzo Internet:
<b>LV</b>	<b>VIENKĀRŠOTA ES ATBILSTĪBAS DEKLARĀCIJA</b>
Latvian	Ar šo Kawai Europa GmbH deklarē, ka radioiekārta [ AURES2/AnyTime X4 ] atbilst Direktīvai 2014/53/ES. Pilns ES atbilstības deklarācijas teksts ir pieejams šādā interneta vietnē:
<b>LT</b>	<b>SUPAPRASTINTA ES ATITIKTIES DEKLARACIJA</b>
Lithuanian	Aš, Kawai Europa GmbH, patvirtinu, kad radijo įrenginių tipas [ AURES2/AnyTime X4 ] atitinka Direktyvą 2014/53/ES. Visas ES atitikties deklaracijos tekstas prieinamas šiuo interneto adresu:
<b>HU</b>	<b>EGYSZERŰSÍTETT EU-MEGFELELŐSÉGI NYILATKOZAT</b>
Hungarian	Kawai Europa GmbH igazolja, hogy a [ AURES2/AnyTime X4 ] típusú rádióberendezés megfelel a 2014/53/EU irányelvnek. Az EU-megfelelőségi nyilatkozat teljes szövege elérhető a következő internetes címen:
<b>MT</b>	<b>DIKJARAZZJONI SSIPLIFIKATA TA' KONFORMITÀ TAL-UE</b>
Maltese	B'dan, Kawai Europa GmbH, niddikjara li dan it-tip ta' tagħmir tar-radju [ AURES2/AnyTime X4 ] huwa konformi mad-Direttiva 2014/53/UE. It-test kollu tad-dikjarazzjoni ta' konformità tal-UE huwa disponibbli f'dan l-indirizz tal-Internet li ġej:
<b>NL</b>	<b>VEREENVOUDIGDE EU-CONFORMITEITSVERKLARING</b>
Dutch	Hierbij verklaar ik, Kawai Europa GmbH, dat het type radioapparaat [ AURES2/AnyTime X4 ] conform is met Richtlijn 2014/53/EU. De volledige tekst van de EU-conformiteitsverklaring kan worden geraadpleegd op het volgende internetadres:
<b>PL</b>	<b>UPROSZCZONA DEKLARACJA ZGODNOŚCI UE</b>
Polish	Kawai Europa GmbH niniejszym oświadcza, że typ urządzenia radiowego [ AURES2/AnyTime X4 ] jest zgodny z dyrektywą 2014/53/UE. Pełny tekst deklaracji zgodności UE jest dostępny pod następującym adresem internetowym:
<b>PT</b>	<b>DECLARAÇÃO UE DE CONFORMIDADE SIMPLIFICADA</b>
Portuguese	O(a) abaixo assinado(a) Kawai Europa GmbH declara que o presente tipo de equipamento de rádio [ AURES2/AnyTime X4 ] está em conformidade com a Diretiva 2014/53/UE. O texto integral da declaração de conformidade está disponível no seguinte endereço de Internet:
<b>RO</b>	<b>DECLARAȚIA UE DE CONFORMITATE SIMPLIFICATĂ</b>
Romanian	Prin prezenta, Kawai Europa GmbH declară că tipul de echipamente radio [ AURES2/AnyTime X4 ] este în conformitate cu Directiva 2014/53/UE. Textul integral al declarației UE de conformitate este disponibil la următoarea adresă internet:
<b>SK</b>	<b>ZJEDNODUŠENÉ EÚ VYHLÁSENIE O ZHODE</b>
Slovak	Kawai Europa GmbH týmto vyhlasuje, že rádiové zariadenie typu [ AURES2/AnyTime X4 ] je v súlade so smernicou 2014/53/EÚ. Úplné EÚ vyhlásenie o zhode je k dispozícii na tejto internetovej adrese:
<b>SL</b>	<b>POENOSTAVLJENA IZJAVA EU O SKLADNOSTI</b>
Slovenian	Kawai Europa GmbH potrjuje, da je tip radijske opreme [ AURES2/AnyTime X4 ] skladen z Direktivo 2014/53/EU. Celotno besedilo izjave EU o skladnosti je na voljo na naslednjem spletnem naslovu:
<b>FI</b>	<b>YKSINKERTAISTETTU EU-VAATIMUSTENMUKAISUUSVAKUUTUS</b>
Finnish	Kawai Europa GmbH vakuuttaa, että radiolaitetyyppi [ AURES2/AnyTime X4 ] on direktiivin 2014/53/EU mukainen. EU-vaatimustenmukaisuusvakuutuksen täysimittainen teksti on saatavilla seuraavassa internetosoitteessa:
<b>SV</b>	<b>FÖRENKLAD EU-FÖRSÄKRAN OM ÖVERENSSTÄMMELSE</b>
Swedish	Härmed försäkras Kawai Europa GmbH att denna typ av radioutrustning [ AURES2/AnyTime X4 ] överensstämmer med direktiv 2014/53/EU. Den fullständiga texten till EU-försäkran om överensstämmelse finns på följande webbadress:
<a href="https://www.kawai-global.com/">https://www.kawai-global.com/</a>	

## Specifications

<b>Sensing System</b>		IHSS (Integrated Hammer Sensing System)
<b>Sound Source</b>	SK-EX Rendering	88-key multi-channel piano sampling, 88-key resonance modelling
	Harmonic Imaging XL	88-key piano sampling
<b>Internal Sounds</b>	SK-EX Rendering	SK-EX Concert Grand (10 rendering characters)
	Harmonic Imaging XL	90 sounds
<b>Keyboard Modes</b>		Dual, Split, 4Hands (Volume/Balance adjustable) <sup>2</sup>
<b>Polyphony</b>		max. 256 notes (depending on selected sound)
<b>Effects</b>	SK-EX Rendering	Ambience (10 types)
	Harmonic Imaging XL	Reverb (6 types), Effects (24 types : Chorus x 3, Delay x 3, Tremolo x 3, Auto pan x 2, Phaser x 2, Rotary x 6, Combination x 5)
<b>Virtual Technician</b> (depending on sound)		Touch Curve, Voicing, Resonance Depth <sup>1</sup> , Damper Resonance <sup>2</sup> , Damper Noise, String Resonance <sup>2</sup> , Undamped String Resonance <sup>2</sup> , Cabinet Resonance <sup>2</sup> , Key-off Effect <sup>2</sup> , Fall-Back Noise, Hammer Noise, Hammer Delay, Topboard, Decay Time, Release Time, Minimum Touch, Stretch Tuning, Temperament <sup>2</sup> , Temperament Key <sup>2</sup> , Key Volume, Half-Pedal Adjust, Soft Pedal Depth, Tuning, Damper Hold
<b>Control / Recorder App</b>		PianoRemote (iOS/Android)
<b>Metronome</b>		1/4, 2/4, 3/4, 4/4, 5/4, 3/8, 6/8, 7/8, 9/8, 12/8 + 100 drum rhythms 10~400 bpm (20~800 bpm for eighth note rhythms)
<b>Internal Songs</b>	Demo Songs	39 songs
	Music	204 or 218 songs <sup>3</sup>
	Lesson Songs	578 Songs from Alfred, Burgmüller, Czerny, Beyer, Bach, and Chopin lesson books <sup>4</sup> , 140 Finger Exercises
<b>Transpose</b>		Key Transpose: -12~+12 semi-tones, Song Transpose: -12~+12 semi-tones
<b>Other Settings &amp; Functions</b>	Speaker / Headphone	Tone Control, Wall EQ, Low Volume Balance, Speaker Volume, Spatial Headphone Sound, Headphone Type, Headphone Volume, Line In Volume
	Bluetooth	Bluetooth MIDI, Bluetooth MIDI Device Name, Bluetooth Audio, Bluetooth Audio Volume
	MIDI	MIDI Channel, Local On/Off, Transmit Program Change, Multi-timbral Mode, Channel Mute
	User Data	Reset Sounds, Reset Music, Factory Reset
	System	Auto Power Off, Language, Information
<b>Sound System</b> (AURES only)		Soundboard Speaker System with 4 transducers (Low-Mid Range x 2, High Range x 2)
<b>Bluetooth</b>		Bluetooth (Ver. 4.1; GATT compatible) Bluetooth Low Energy MIDI Specification compliant Bluetooth Audio (Version 3.0, Profile: A2DP, Codecs: SBC, AAC, aptX)
<b>Jacks</b>	Audio	LINE IN (1/8" STEREO), LINE OUT (1/8" STEREO), Headphones x 2 (1/4", 1/8")
	MIDI / USB	MIDI (IN/OUT), USB to Host, USB for UPDATE
<b>Pedals</b>		Damper (with half-pedal support), Soft, Sostenuito (switchable from Soft for Upright Piano)
<b>Power Consumption</b>		AURES2 : 58 W, ATX4 : 20 W

<sup>1</sup> SK-EX Rendering only

<sup>2</sup> Not SK-EX Rendering

<sup>3</sup> Depending on market location

<sup>4</sup> Lesson books sold separately

Specifications are subject to change without notice.

\* Availability of Bluetooth function dependent on market location.

# **KAWAI**

---

THE FUTURE OF THE PIANO